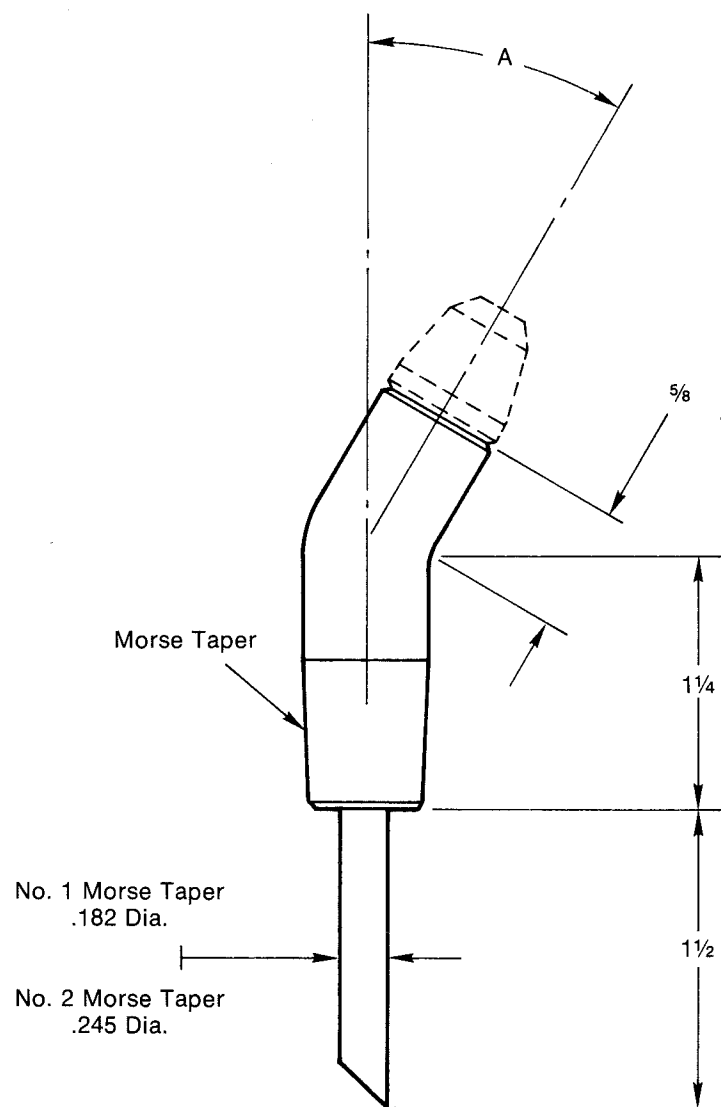


# PACIFIC

## SINGLE BEND SHANKS

COLD FORMED FROM R.W.M.A. CLASS II COPPER  
FOR USE WITH INSERTS SHOWN ON PAGES 12 AND 13



	A BEND	PART No.
<b>No. 1 MORSE TAPER</b>	15°	51-15
	30°	51-30
	45°	51-45
	60°	51-60
	75°	51-75
	90°	51-90
<b>No. 2 MORSE TAPER</b>	15°	52-15
	30°	52-30
	45°	52-45
	60°	52-60
	75°	52-75
	90°	52-90